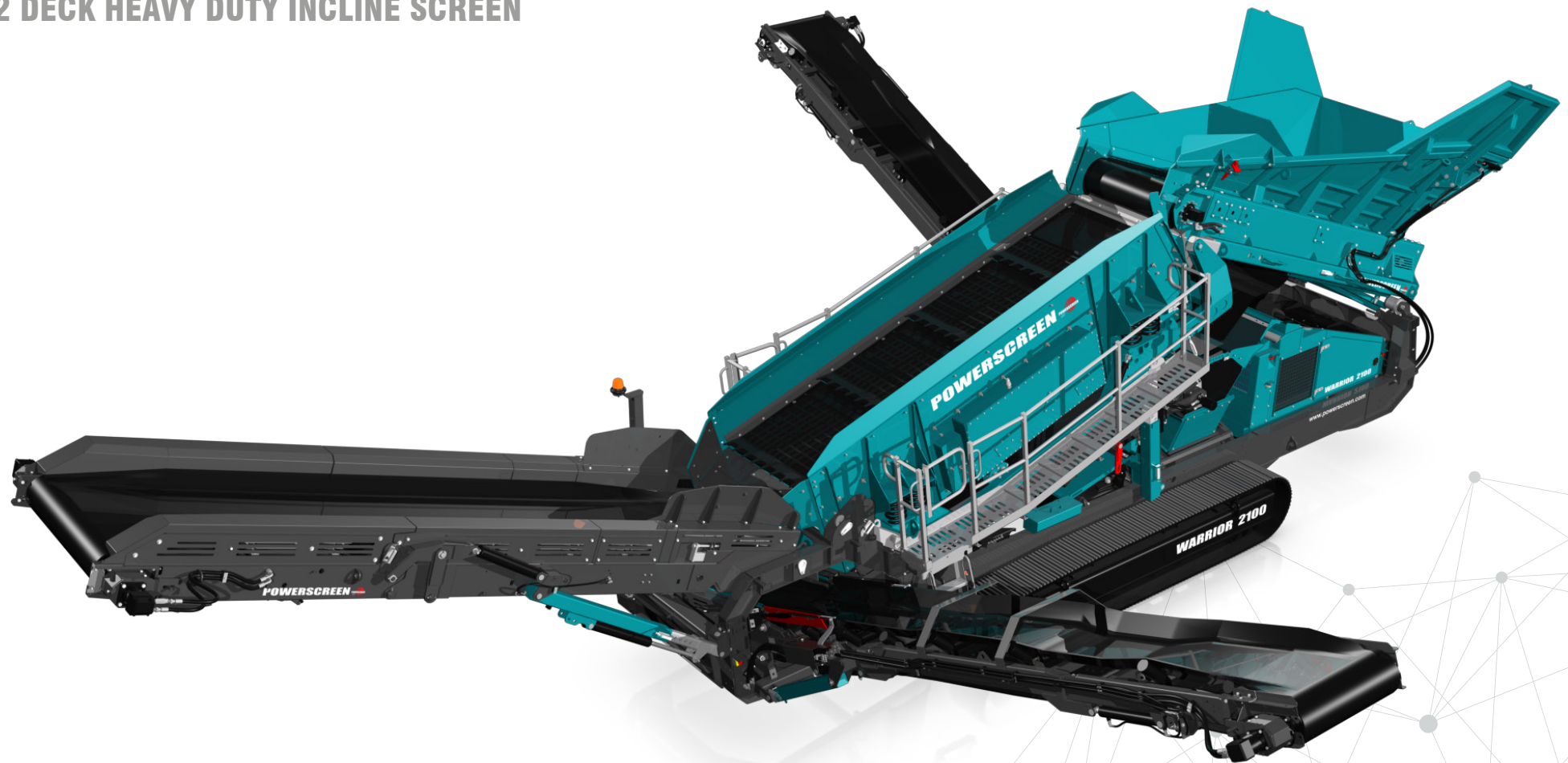


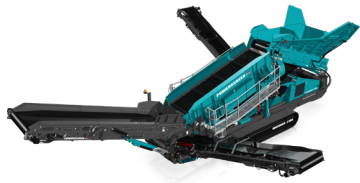
POWERSCREEN® WARRIOR 2100

2 DECK HEAVY DUTY INCLINE SCREEN



TECHNICAL SPECIFICATION - REV 6. 01/01/2019





WARRIOR 2100



OVERVIEW

SPECIFICATION

Total weight	36,900kg (81,351lbs)
Transport	Length 15.99m (52' 5")
	Width (9' 10")
	Height 3.43m (11' 3")
Working	Length 16.26m (53' 4")
	Width 13.6m (44' 7")
	Height 4.68m (15' 4")
Screenbox	4.88m x 1.56m (16' x 5' 1")
Power Unit	Diesel / Hydraulic
Plant Colour	RAL 5021, RAL 7024 & RAL 9005

(Weight & dimensions are approximate base unit values)

FEATURES & BENEFITS

- High capacity up to 700 tph / 772 US tph (depending on media sizes & material type)
- Maximum feed size 600mm (2') . Maximum allowable feed size may vary depending on material type and screenbox media
- Suitable for scalping or stockpiling as a 3 way split or 2 way split machine
- Heavy duty inclined hopper & belt feeder featuring impact bars & impact rollers
- Fixed hopper sides & twin drive belt feeder
- Jack up screen facility for access to screen media & collection conveyor
- Collection conveyor raise feature for conveyor & diesel tank access
- Heavy duty 2 deck incline screen with aggressive triple shaft drive
- Galvanised screen walkways & access ladders as standard
- Maximum mobility with heavy duty, low ground pressure tracks.
- Quick set up time typically under 10 minutes.
- Hydraulically folding conveyors for transport
- Two speed heavy duty tracks, with removable pendant remote control system
- High performance hydraulic system - cast iron pumps & motors complete with hydraulic cooler
- Prepared to accept Powerscreen Warrior 2100 Spaleck or Single Shaft screenbox

APPLICATIONS



Aggregate

Sand & gravel
Blasted rock
River rock



Recycling

Top soil
C&D waste
Composted materials
Wood by-products
Overburden
Foundry waste



Mining

Processed ores
Processed minerals



WARRIOR 2100



↓ HOPPER

Target area: 4.7m (15' 5") long x 2.6m (8' 6") wide

Hopper capacity: 7m³ (9.2 cu. yd.)

Fixed heavy duty hopper sides, manufactured from wear resistant steel with optimised reinforcement

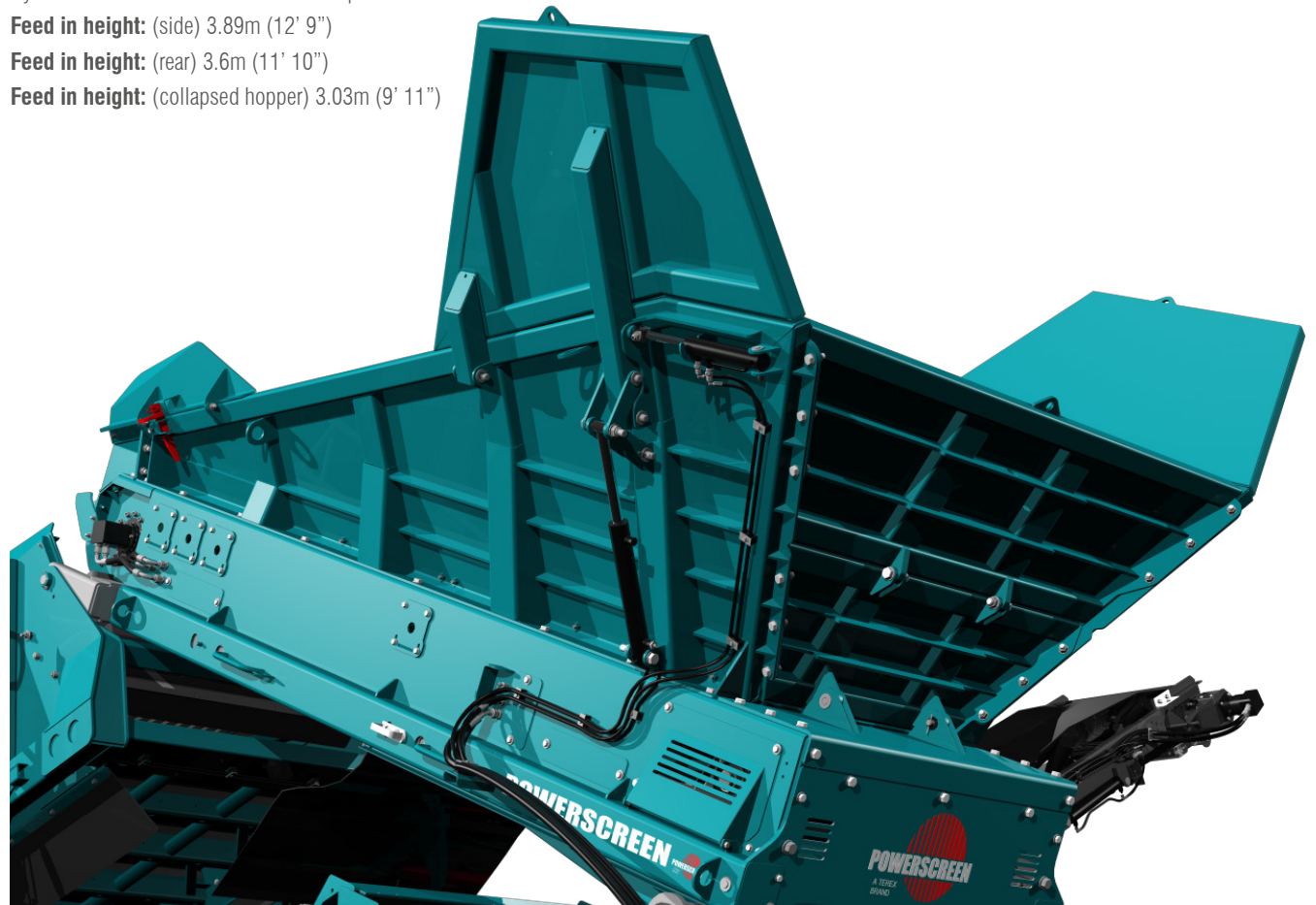
Rear wall collapsible for direct feeding

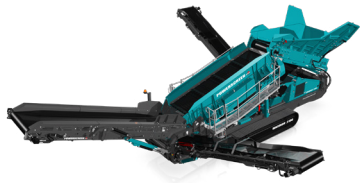
Hydraulic slide & raise facilities for transport

Feed in height: (side) 3.89m (12' 9")

Feed in height: (rear) 3.6m (11' 10")

Feed in height: (collapsed hopper) 3.03m (9' 11")





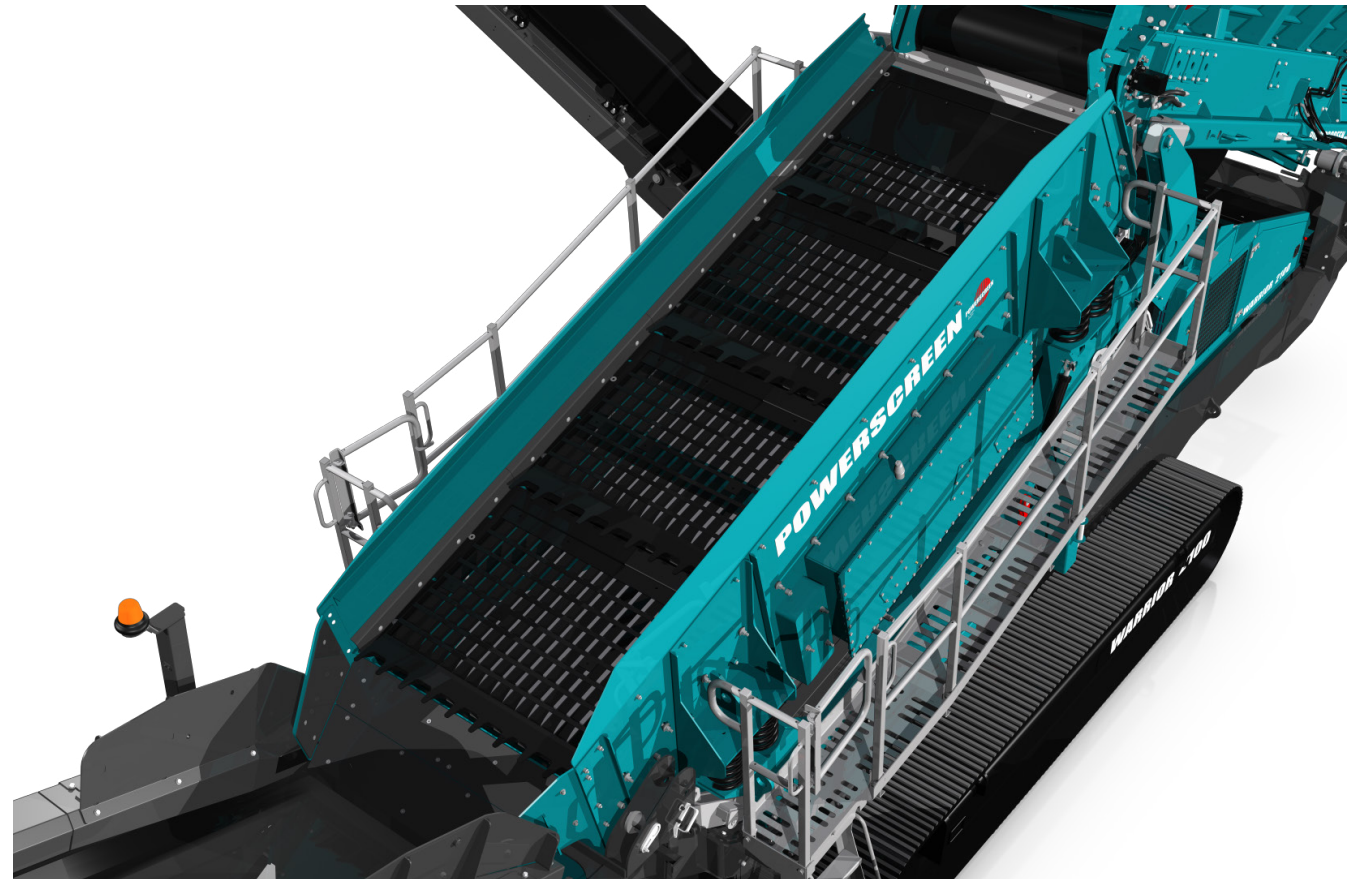
WARRIOR 2100



↓ SCREENBOX

Heavy duty 4.88m x 1.56m (16' x 5' 1'') 2 deck incline screen with aggressive triple shaft drive mechanism featuring adjustable speed, stroke & angle
Top deck : 4.88m x 1.56m (16' x 5' 1'')
Bottom deck : 4.65m x 1.56m (15' 3'' x 5' 1'')
Adjustable oval stroke: 12mm-16mm
Oval stroke angle adjustable from 30° - 60°

Jack-up screen facility for access to screen media
Hi-torque screen motor mounted direct to screenbox
Wear plates on pipe units
Galvanised maintenance platforms on both sides of screen
Screen suitable for bofor, finger, punch plate and mesh screening media





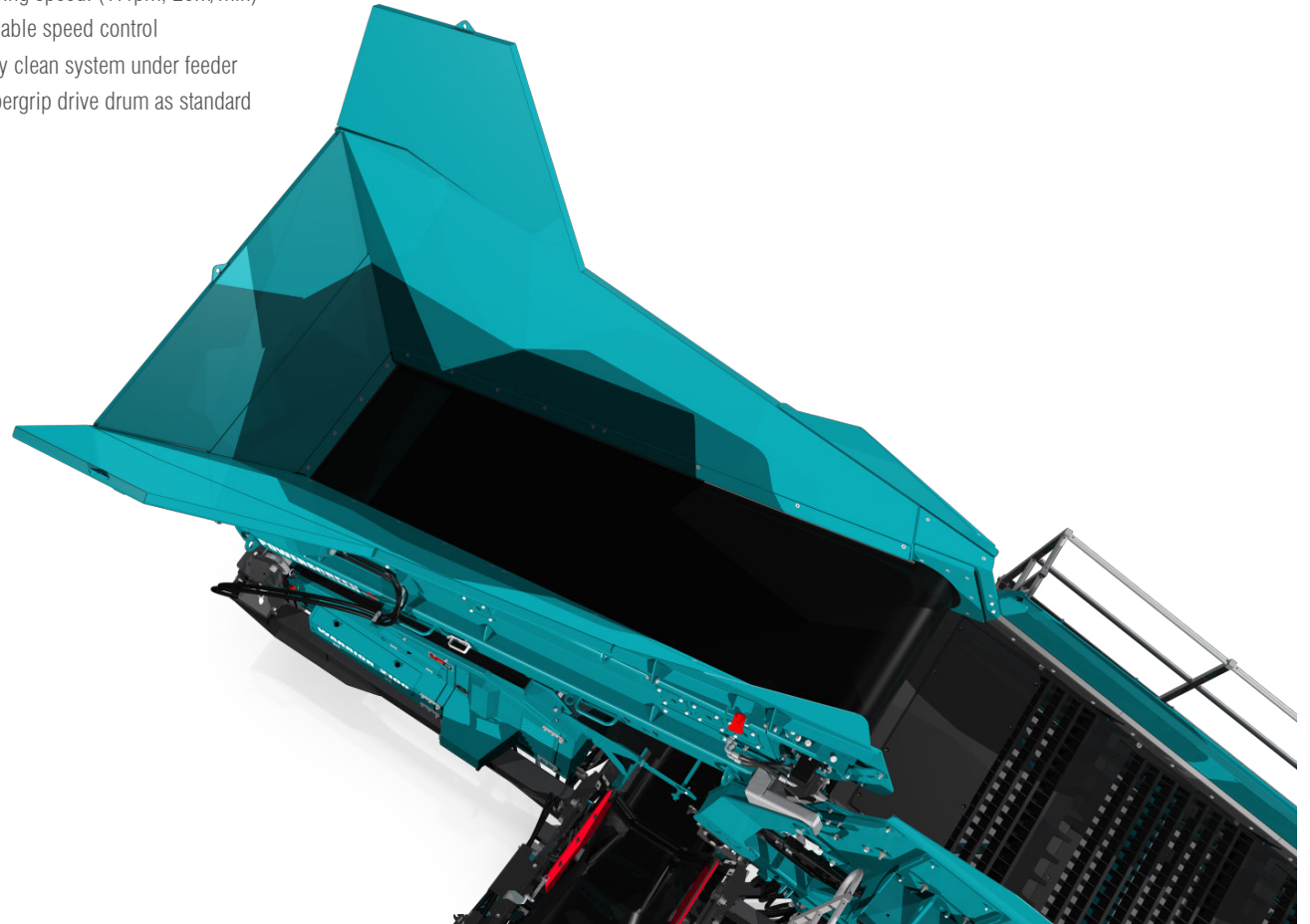
WARRIOR 2100

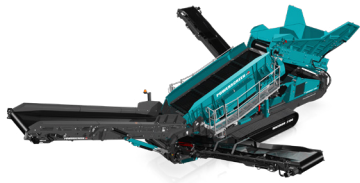


CONVEYORS

HEAVY DUTY BELT FEEDER

- Heavy duty impact bars & impact rollers supporting belt
- 1300mm (4' 3") 4 ply heavy duty belt
- 4.1m (13' 5") drum centres
- Heavy duty drive featuring twin gearbox drive
- Driving speed: (17rpm, 20m/min)
- Variable speed control
- Easy clean system under feeder
- Supergrip drive drum as standard





WARRIOR 2100



CONVEYORS

OVERSIZE - TAIL CONVEYOR

1400mm (4' 7") wide troughed 3 ply chevron belt

6.35m (20' 10") drum centres

Variable speed control

Hydraulic raise & lower

Impact bars along entire length

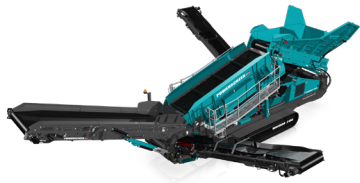
Hydraulically folding for transport

Angle adjustable 0° - 24°

4.2m (13' 9") stockpile height

110m³ (144 cu. yd.) stockpile volume





WARRIOR 2100



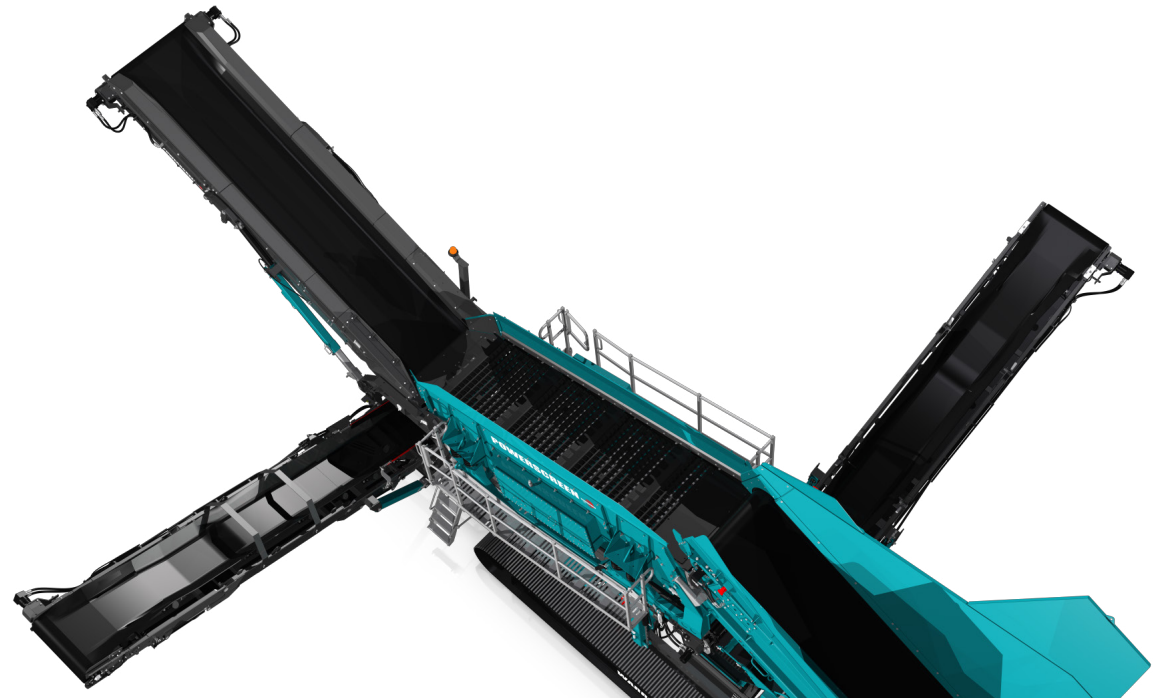
CONVEYORS

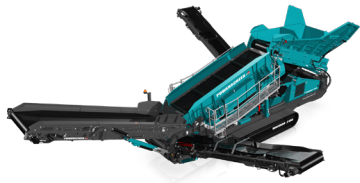
FINESIZE - SIDE CONVEYOR

- 900mm (2' 11") wide 3 ply plain belt
- 7.8m (25' 7") drum centres
- Impact bars under feedboot area
- Deflector plate for optimum material travel
- Variable speed control
- Hydraulically folding, angle adjustable
- 3.93m (12' 11") stockpile height
- 90m³ (118 cu.yd.) stockpile volume
- 4.36m (14' 4") stockpile height (extended)
- 123m³ (161 cu.yd.) stockpile volume (extended)

MIDSIZE - SIDE CONVEYOR

- 900mm (2' 11") wide 3 ply plain belt
- 7.8m (25' 7") drum centres
- Impact bars under feedboot area
- Variable speed control
- Hydraulically folding, angle adjustable
- 3.67m (12') stockpile height
- 73.5m³ (96 cu.yd.) stockpile volume
- 4.09m (13' 5") stockpile height (extended)
- 102m³ (133 cu.yd.) stockpile volume (extended)
- Removed during 2 way split operation





WARRIOR 2100



CONVEYORS

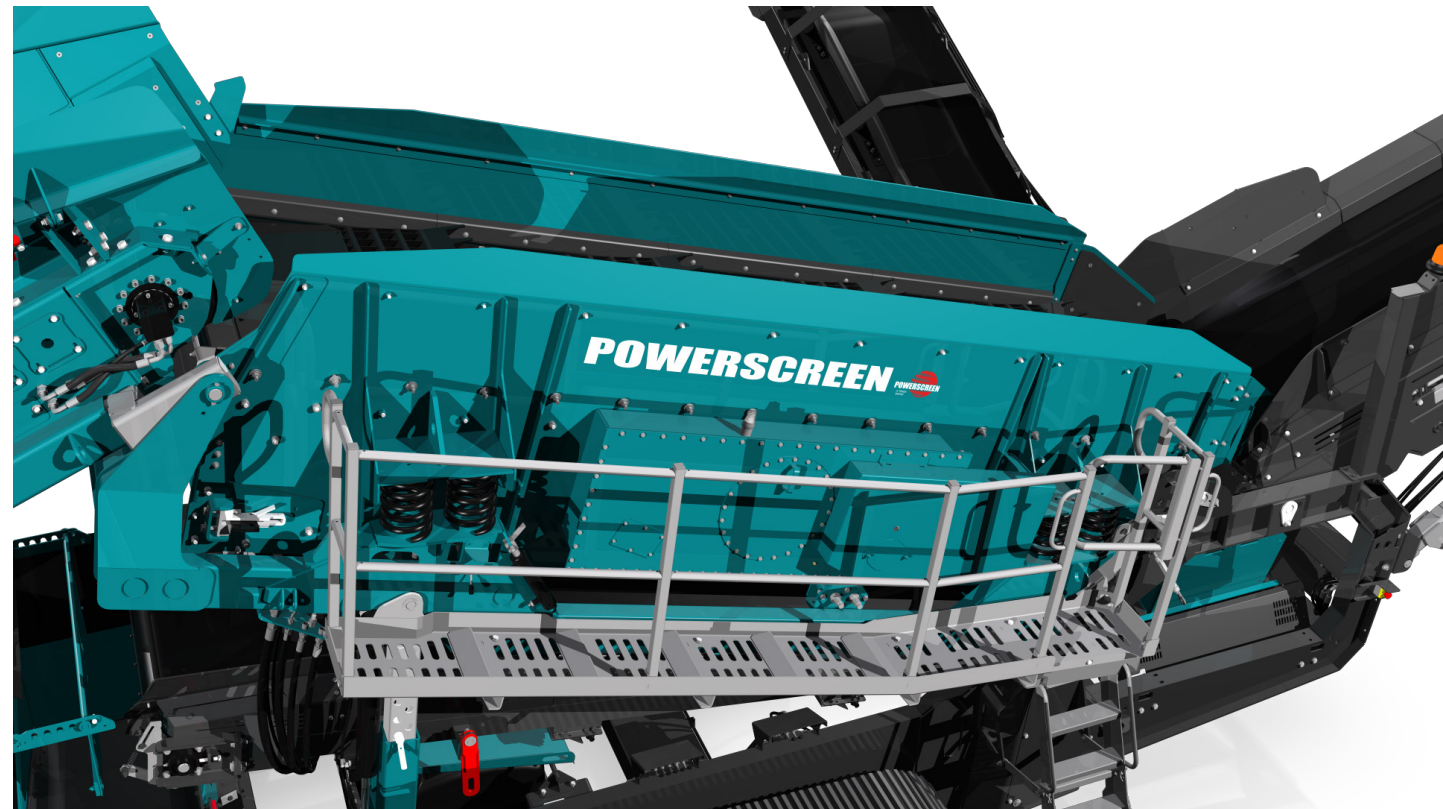
UNDERSCREEN CONVEYOR

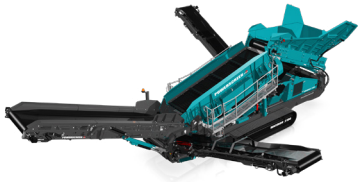
1300mm (4' 3") wide 3 ply plain belt

4.6m (15' 1") drum centres

Accessible via jack-up screen facility

Underside accessible with collection conveyor raise facility





WARRIOR 2100



↓ POWER UNIT & HYDRAULICS

Engine Tier 3 Equivalent:

Caterpillar C4.4 - 4 cylinder diesel

Performance:

97kW (130hp) @ 1800rpm

Tier 4F / Stage IV:

Caterpillar C4.4 - 4 cylinder diesel

Performance:

98kW (131hp) @ 1800rpm

Constant Speed engine / Stage IIIA (EU Only):

CAT C4.4, 4 cylinder diesel

Performance:

98kW (131hp) @ 1800rpm

Tank Capacities:

Fuel: 336 L (89 US Gal) Protected diesel tank

Hydraulic oil: 450 L (119 US Gal)

Pumps:

Flywheel pump: Cast iron quad 63/63/41/41cc/rev

PTO 'A' pump: Cast iron tandem 29/29cc/rev

Motors:

Belt feeder Motors: Cast iron 125cc/rev

Tail conveyor: Twin drive cast iron 500cc/rev

Mid fines conveyor: Cast iron 500cc/rev

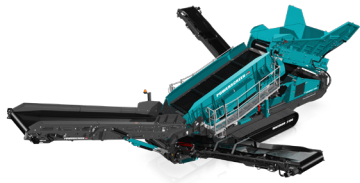
Underscreen conveyor : Cast iron 500cc/rev

Fines conveyor: Cast iron 500cc/rev

Screen: Cast iron 80cc/rev

Optional apron feeder: Cast iron 400cc/rev





WARRIOR 2100



TRACKS

Track width: 500mm (1' 8")

Sprocket centres: 3840mm (12' 7")

Two speed tracking system

Approximate speed: 0.8 Km/hr (0.5mph) (slow)

Approximate speed: 1.4 Km/hr (0.87mph) (fast)

Gradeability: 33.9°

Total flow per track: 64Lpm

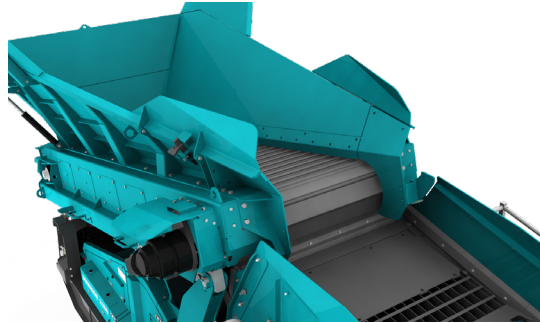




WARRIOR 2100

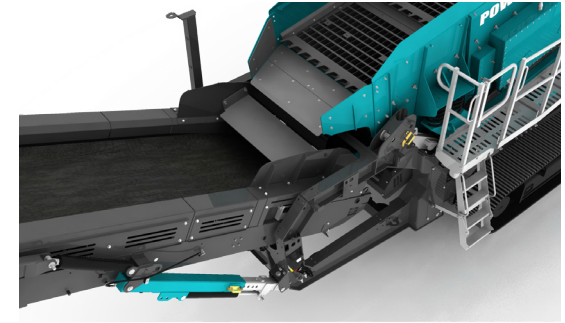


↓ OPTIONS



INCLINE APRON FEEDER

1000mm (3' 3" inside hopper width) wide wear resistant apron
 Fitted with single gearbox drive
 Variable speed control
 4m (13' 1") apron centres
 Increase in machine weight: +2,000kg (4,409lbs)



2 WAY SPLIT CONFIGURATION

Mid sized side conveyor removed
 Machine built as 2 way split
 Top deck & bottom deck oversize material fed on to tail conveyor.



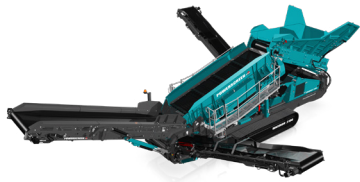
200MM CHASSIS RISER

Machine chassis raised 200mm (8") to provide improved ground clearance and additional conveyor stockpiling capacity.
 Riser increases transport height, stockpile heights & feed in heights by 200mm (8")
 Increase in machine weight: +450kgs (992lbs)



HYDRAULIC FOLD & LOCK EXTENSIONS

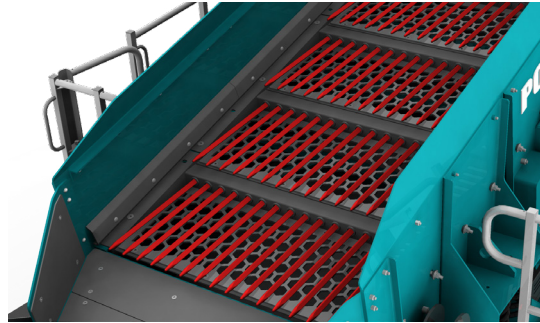
Fully hydraulic folding and locking from ground level, the hopper extensions offer a target width of 3.49m (11' 5") to suit feeding with a wheel loader from the rear of the machine.



WARRIOR 2100



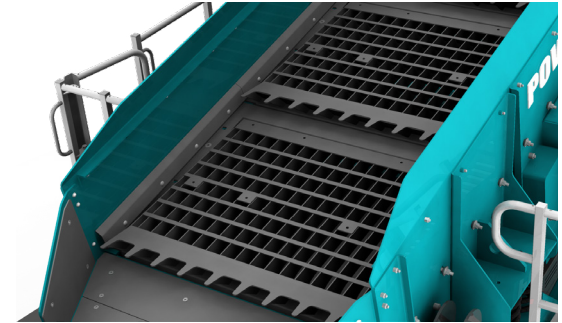
↓ OPTIONS



FINGER / PUNCH PLATE COMBINATION DECK

Designed for overburden, dirty blasts & difficult recycling applications, this deck has the dual benefit of fingers to break up material, and punchplate to deliver a controlled material size onto the bottom deck.

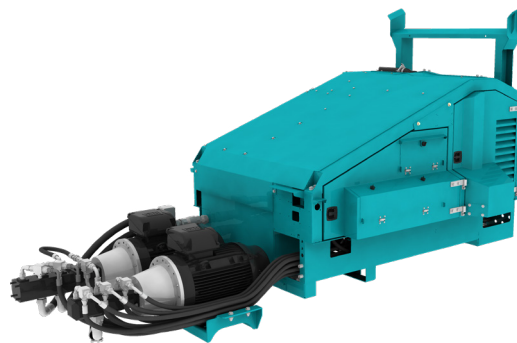
Maximum feed size = 400mm (1' 4")



3D PUNCH PLATE

For use in waste recycling, compost & wood type applications, the 3D punch plate separates effectively and minimizes harmful material build-up.

Maximum feed size = 400mm (1' 4")



DUAL POWER

2 of electric motors; 37kW

Diesel engine

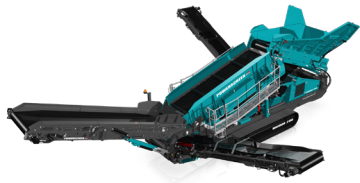
Integrated control system managing diesel-hydraulic or electrical-hydraulic functions.

Note: This option may alter transport dimensions and feed access. For further details please contact engineering for detailed drawings and dimensions.



HYDRAULIC SCREEN TENSIONING

Bottom deck hydraulic screen tensioning option available via the addition of a hydraulic tension ram and tension valve.

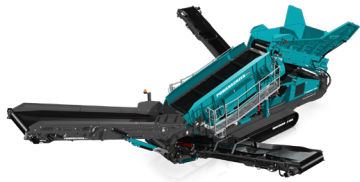


WARRIOR 2100



OPTIONS

- Custom coloured machine
- Side conveyor telescopic hydraulic extensions (1.2m)
- Chevron side conveyor belts
- Machine supplied as 2 Way Split
- Auto lubrication system
- Radio controlled tracking
- Quick release wedge screen tensioning (side tensioned only)
- Screen blanket
- Hydraulically Tensioned bottom deck
- Powerscreen Pulse



WARRIOR 2100



↓ POWERSCREEN PULSE

RECORD, DISPLAY AND ANALYSE DATA:

HIGH EFFICIENCY THROUGH PRECISE INFORMATION

Available online anywhere and at any time: comprehensive information on the GPS location, start and stop times, fuel consumption, tonnages, cone settings, wear ratings, operating hours, maintenance status, and much more.



AVAILABLE ANYWHERE AND AT ANY TIME



DASHBOARD DISPLAY



FLEET OVERVIEW



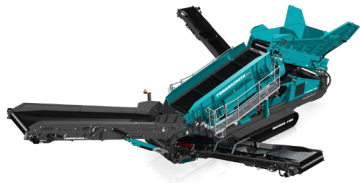
WEEKLY REPORT DIRECT TO YOUR INBOX



GPS: MACHINE TRACKING



REPORTING UTILISATION, PERFORMANCE & PART SPECIFIC

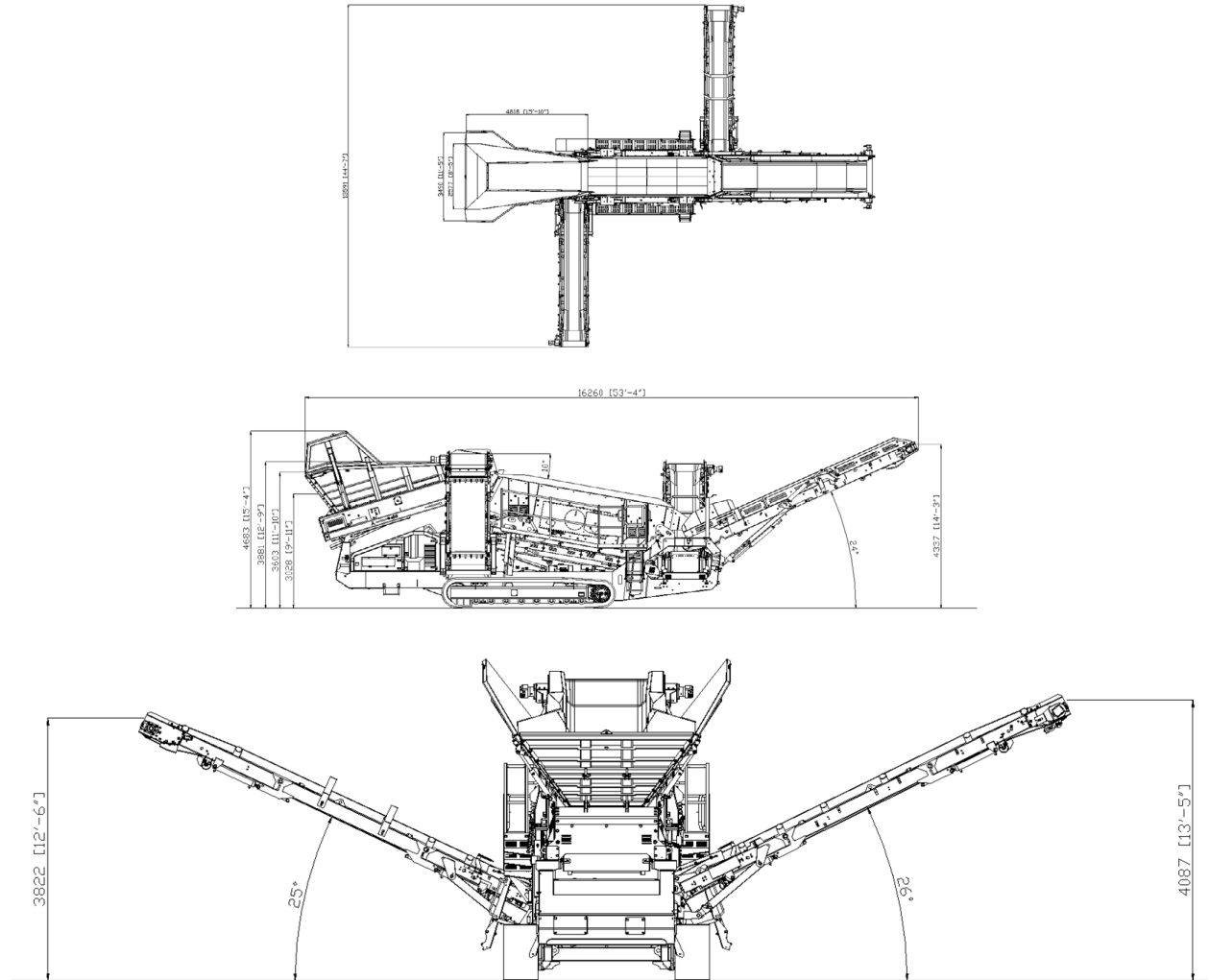


WARRIOR 2100

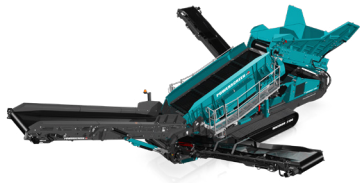


DIMENSIONS

Figure 1: Warrior 2100
Working Position



MORE DIMENSIONS OVERLEAF

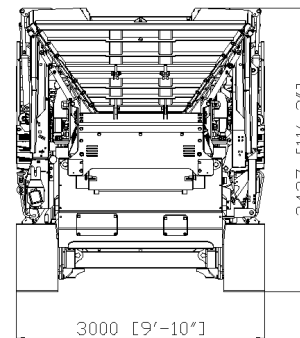
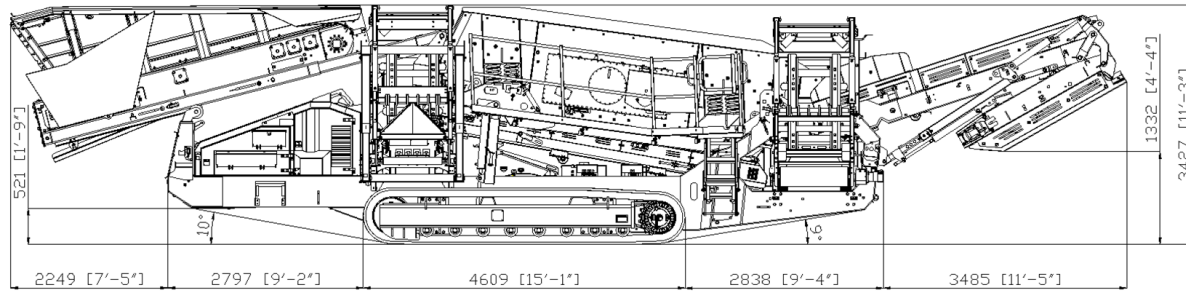
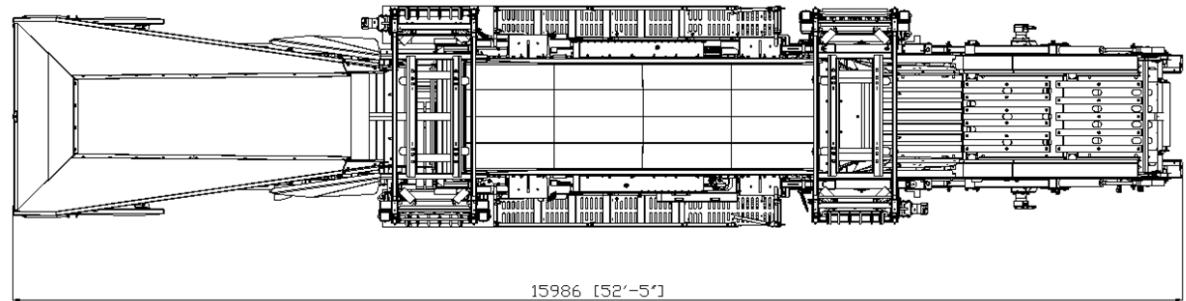


WARRIOR 2100

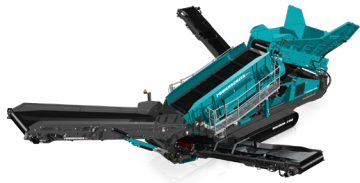


↓ DIMENSIONS

Figure 2: Warrior 2100
Transport Position



MORE DIMENSIONS OVERLEAF

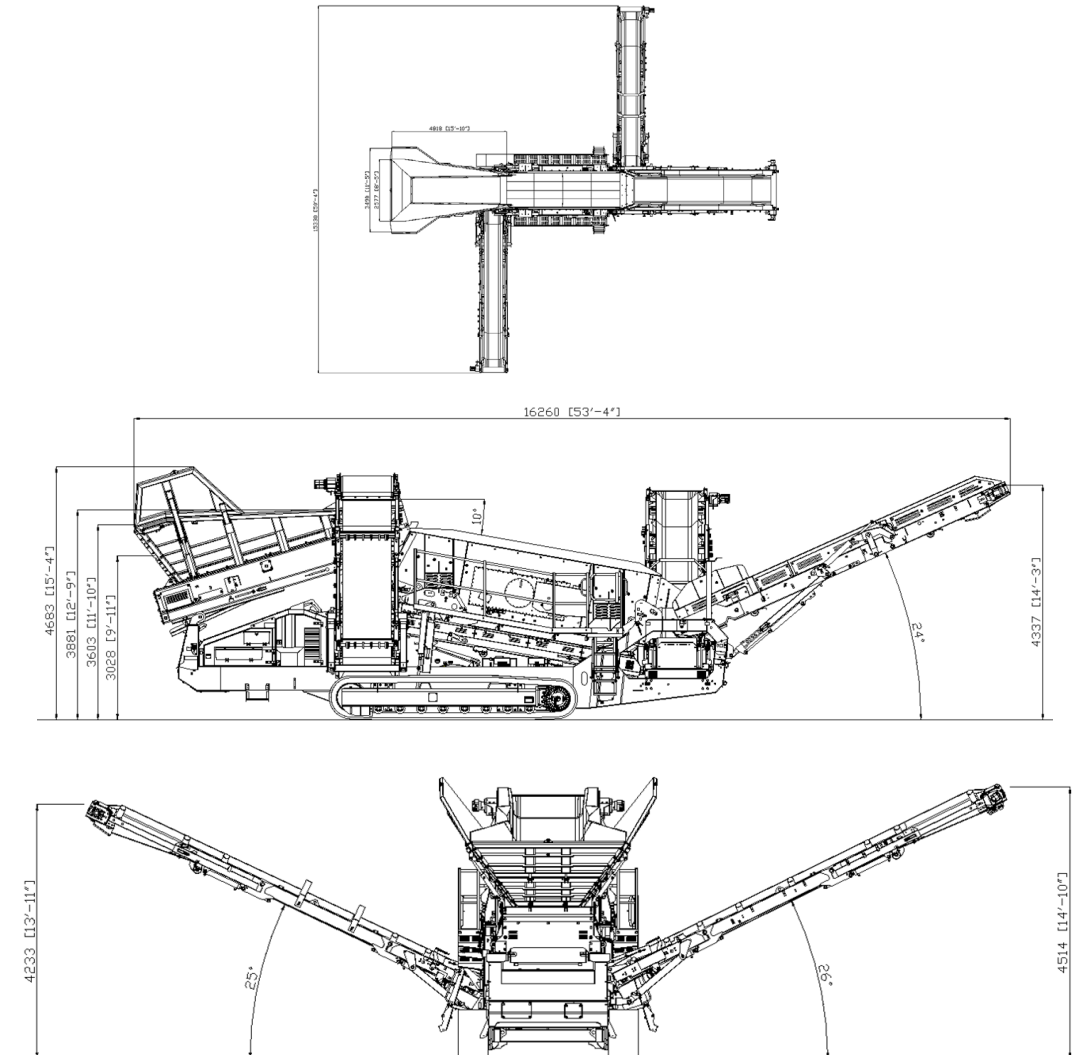


WARRIOR 2100

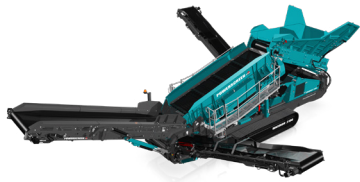


DIMENSIONS

Figure 3: Warrior 2100
Telescopic Side Conveyors
Working Position



MORE DIMENSIONS OVERLEAF

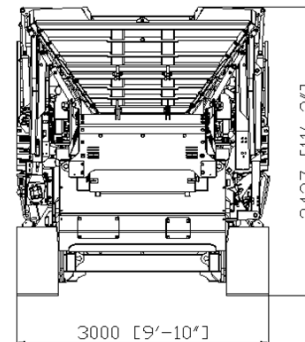
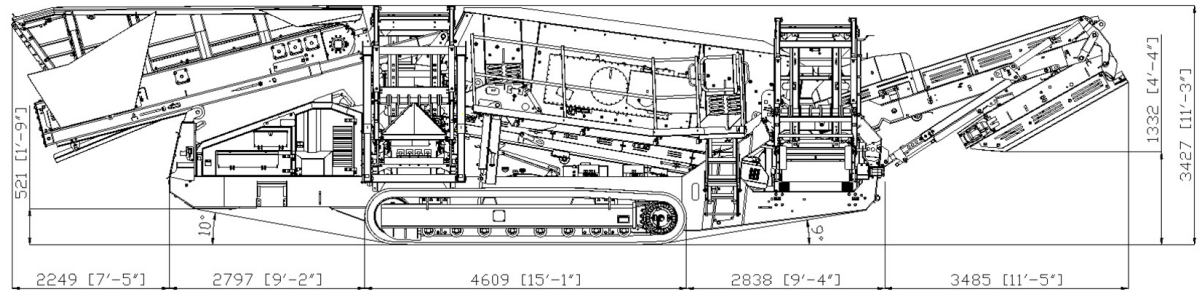
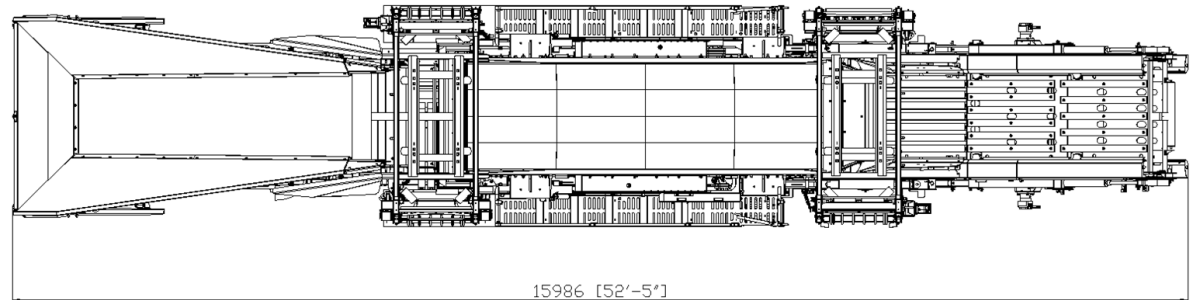


WARRIOR 2100

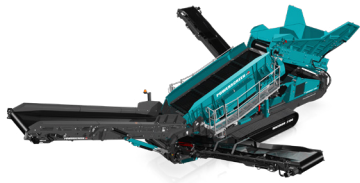


↓ DIMENSIONS

Figure 4: Warrior 2100
Telescopic Side Conveyors
Transport Position



MORE DIMENSIONS OVERLEAF

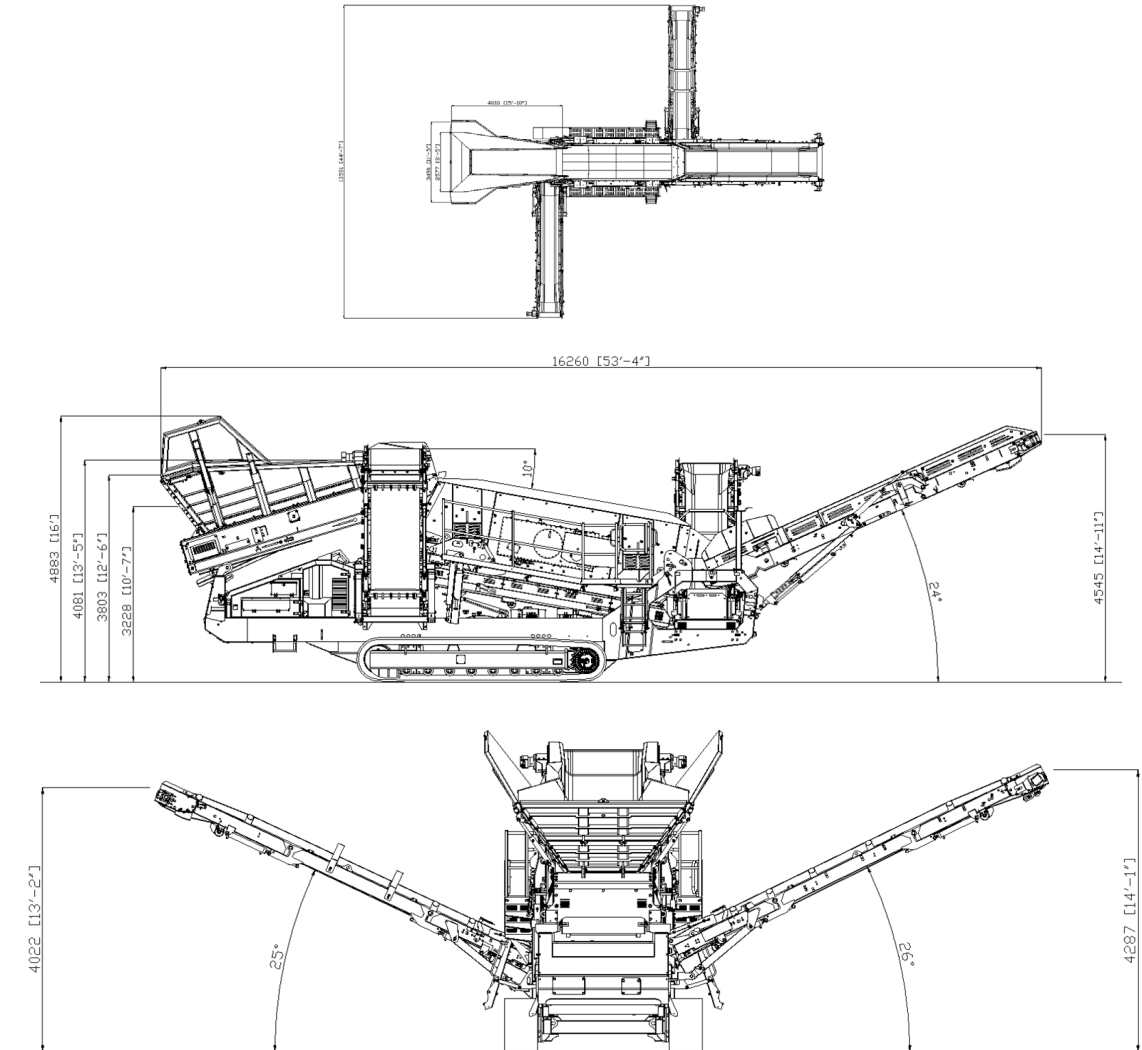


WARRIOR 2100

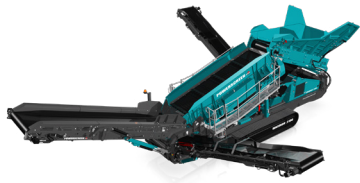


↓ DIMENSIONS

Figure 5: Warrior 2100
Chassis Riser
Working Position



MORE DIMENSIONS OVERLEAF

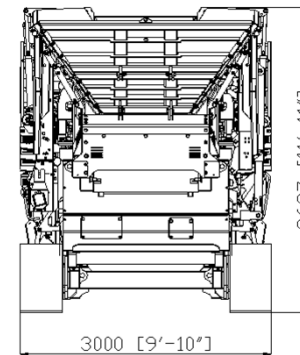
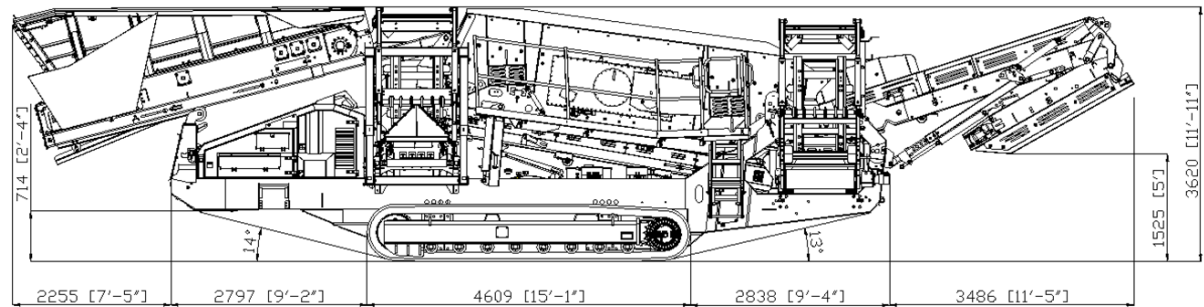
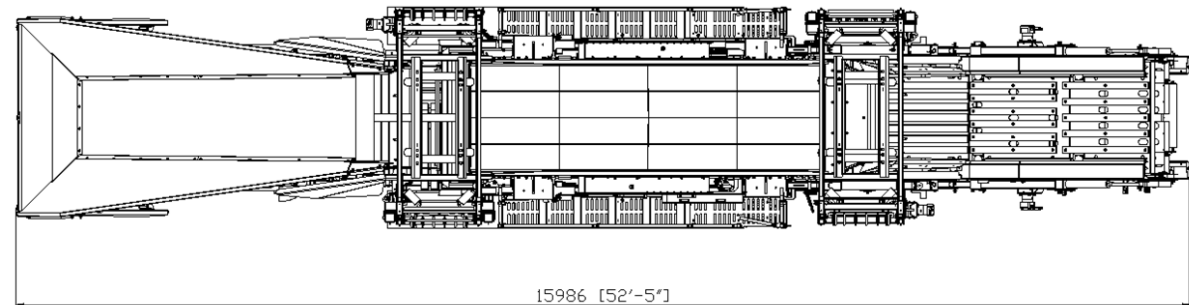


WARRIOR 2100

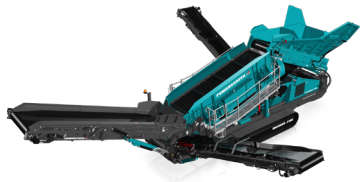


WEIGHT & DIMENSIONS

Figure 6: Warrior 2100
Chassis Riser
Transport Position



MORE DIMENSIONS OVERLEAF

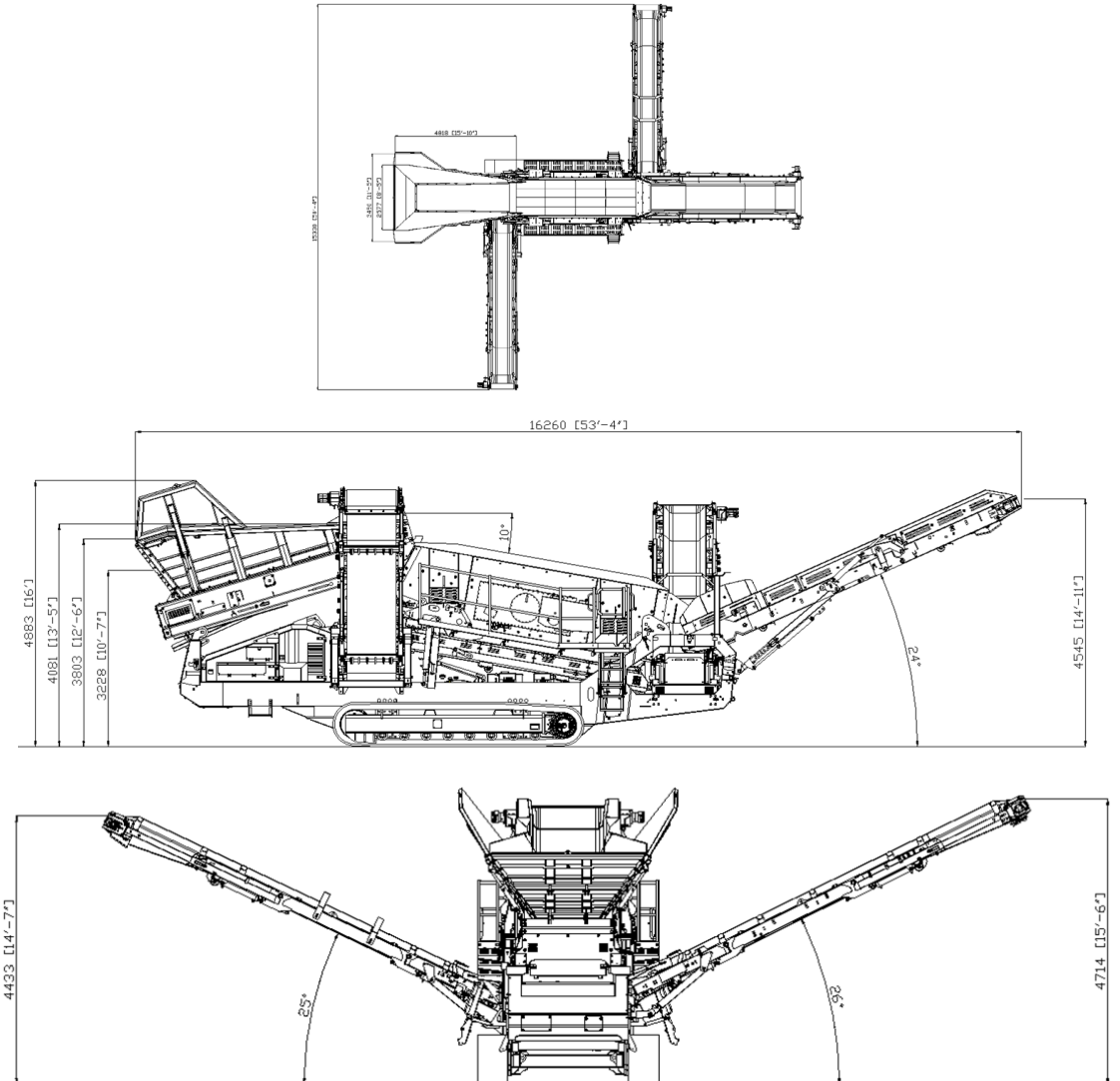


WARRIOR 2100

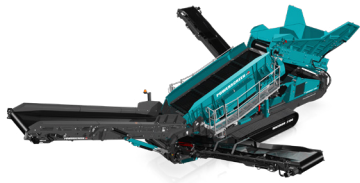


DIMENSIONS

Figure 7: Warrior 2100
Chassis Riser & Telescopic Side Conveyors
Working Position



MORE DIMENSIONS OVERLEAF

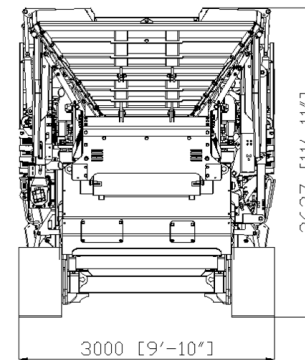
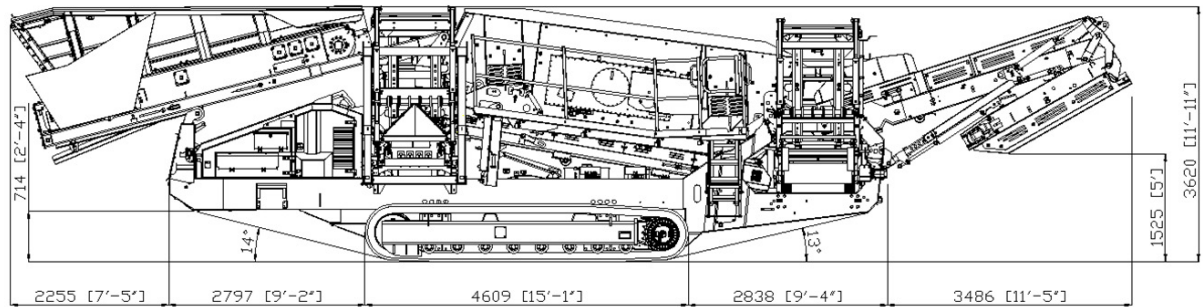
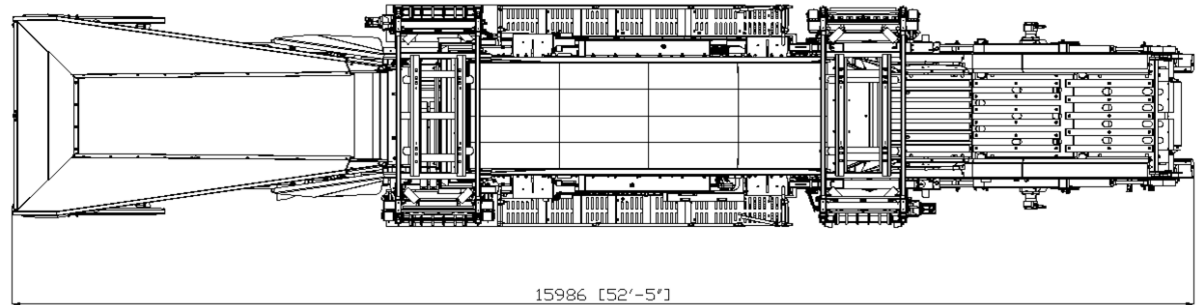


WARRIOR 2100

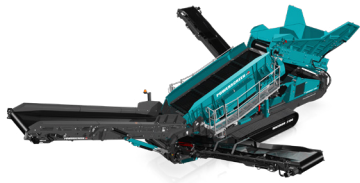


↓ DIMENSIONS

Figure 8: Warrior 2100
Chassis Riser & Telescopic Side Conveyors
Transport Position



MORE DIMENSIONS OVERLEAF

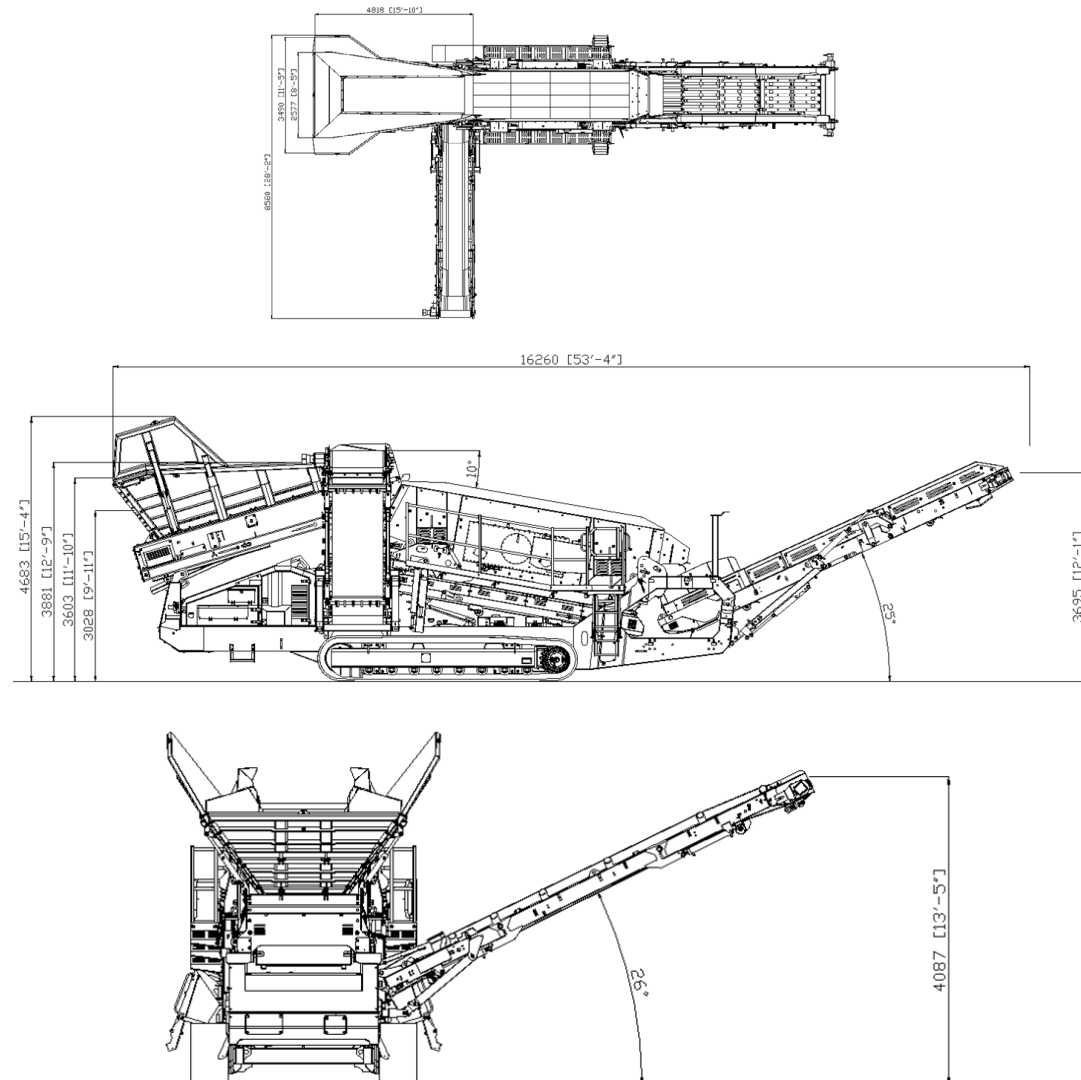


WARRIOR 2100

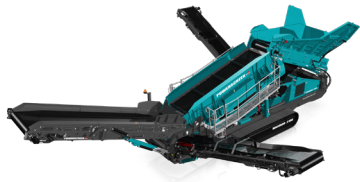


DIMENSIONS

Figure 9: Warrior 2100
2 Way Split - Working Position



MORE DIMENSIONS OVERLEAF

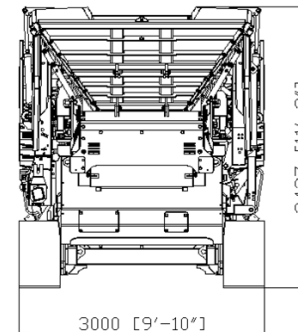
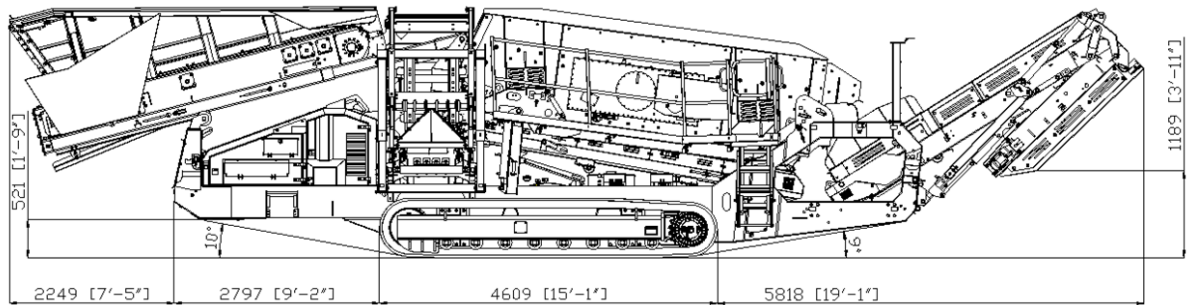
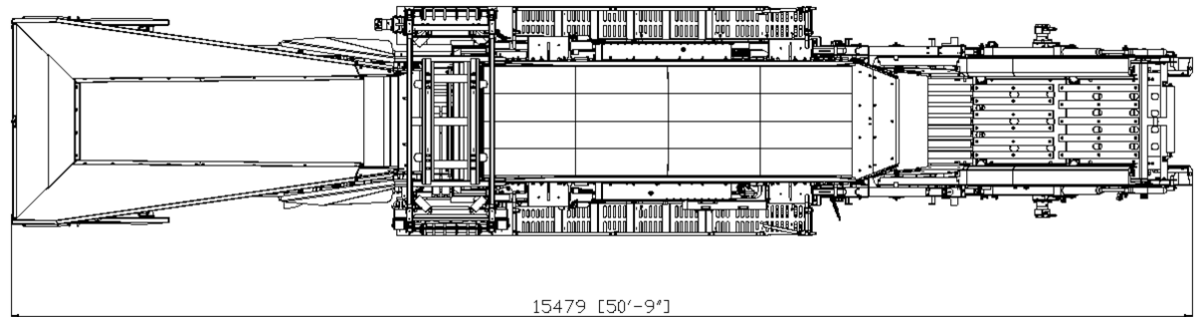


WARRIOR 2100



↓ DIMENSIONS

Figure 10: Warrior 2100
2 Way Split - Transport Position





Powerscreen equipment complies with CE requirements.

Please consult Powerscreen if you have any other specific requirements in respect of guarding, noise or vibration levels, dust emissions, or any other factors relevant to health and safety measures or environmental protection needs. On receipt of specific requests, we will endeavour to ascertain the need for additional equipment and, if appropriate, quote extra to contract prices.

All reasonable steps have been taken to ensure the accuracy of this publication, however due to a policy of continual product development we reserve the right to change specifications without notice.

It is the importers' responsibility to check that all equipment supplied complies with local legislation regulatory requirements.

Plant performance figures given in this brochure are for illustration purposes only and will vary depending upon various factors, including feed material gradings and characteristics. Information relating to capacity or performance contained within this publication is not intended to be, nor will be, legally binding.

GET IN TOUCH

Dungannon

200 Coalisland Road, Dungannon,
Co Tyrone, BT71 4DR, Northern Ireland
Tel: +44 (0) 28 87 718 500
Fax: +44 (0) 28 87 747 231

Louisville

11001 Electron Drive,
Louisville, Kentucky, 40299 USA
Tel: +1 502 736 5200
Fax: +1 502 736 5202

